

LULU Single-lever bath mixer with stand pipe for free-standing assembly with hand shower set - Chrome

LULU

25 863 710



- spout: circular, air-enriched flow
 - max. flow 26.4 l/min at 3 bar flow pressure
 - Hand shower: COMPACT RAIN, max. flow rate 6.8 l/min (at 3 bar)
 - bar-type hand shower with anti-scale system
 - wall bracket
 - automatic bath/shower diverter
 - 215mm projection
 - total height 932 - 1002 mm
 - stand pipe height 598 - 668 mm
 - height up to aerator 825 – 895 mm
 - push-on rosette 131 x 131 mm
 - metal shower hose 1250mm with integrated anti-twist protection
- Intrinsic protection against back flow.**



Chrome

25 863 710-00



Brushed Platinum

25 863 710-06

Intrinsic protection against back flow.

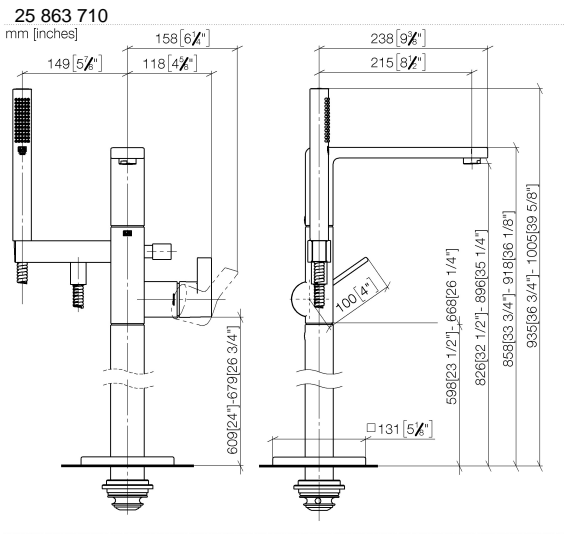
Required miscellaneous



Concealed floor mounting -

35 945 970 90

- max. recess depth 150 mm
- min. recess depth 80 mm



Flow rate chart



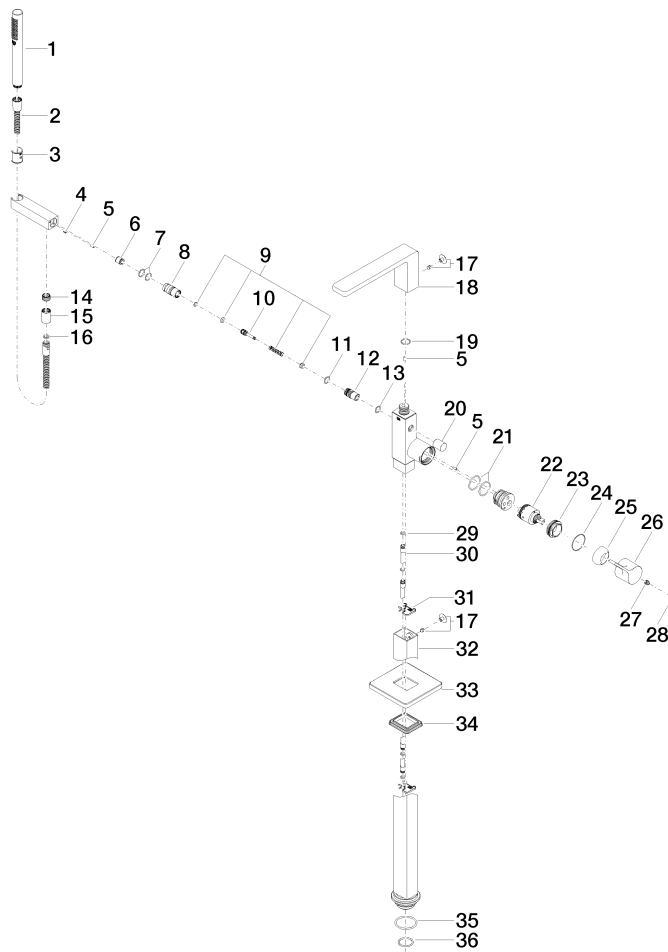
Certificates

Belgaqua_19_77_27. IAPMO_4976 (2). WRAS_2003006. LGA_29727. Belgaqua_24-003-27_1.

LULU Single-lever bath mixer with stand pipe for free-standing assembly with hand shower set - Chrome

LULU

25 863 710





LULU Single-lever bath mixer with stand pipe for free-standing assembly with hand shower set - Chrome

LULU

25 863 710

Spare parts list

No.	Item Number	Name	Quantity used	Delivery time
1	90 12 11 140 30-00	shower	1	10
2	90 30 02 072 00-00	Metal shower hose 1/2" x 3/8" x 1250 mm - Chrome	1	10
3	09 18 40 118 90	sleeve	1	2
4	09 31 11 058 90	pin	1	2
5	09 31 11 040 90	pin	3	2
6	90 23 01 141 00 90	back-flow preventer	1	2
7	90 14 10 010 00 90	seal	2	2
8	09 24 03 130-00	nipple	1	10
9	90 16 02 023 00 90	spring	1	2
10	09 31 09 094 20-00	pull-rod	1	10
11	90 14 10 055 00 90	seal	1	2
12	09 21 34 080-00	nipple	1	10
13	90 14 10 033 00 90	seal	1	2
14	09 24 03 069 90	nipple	1	2
15	90 21 02 069 00-00	cover	1	10
16	90 14 20 026 00 90	seal	1	2
17	04 31 20 034 00 90	plug	2	2
18	90 11 71 043 00-00	spout	1	10
19	09 14 10 031 90	seal	1	2
20	09 20 71 031-00	handle	1	10
21	09 14 10 148 90	seal	2	2
22	90 15 05 039 00 90	cartridge	1	2
23	09 24 04 298 90	nut	1	2
24	09 14 10 037 90	seal	1	2
25	09 28 30 036-00	cover	1	10
26	09 20 80 022-00	handle	1	10
27	90 31 11 030 00 90	pin	1	2
28	90 31 20 087 00-00	plug	1	10
29	09 14 10 139 90	seal	2	2
30	04 28 22 025 00 90	connection	2	2
31	09 20 93 051 90	holder	2	2
32	04 28 22 024 00-00	pipe	1	10
33	09 27 71 011-00	rosette	1	10
34	09 14 03 107 90	seal	1	2
35	09 14 10 084 90	seal	1	2
36	09 14 10 018 90	seal	1	2